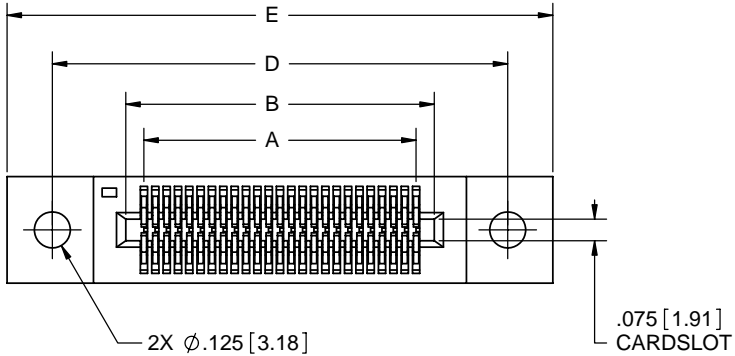


REVISIONS				
REV.	ECO. NO	DESCRIPTION	DATE	BY
A	866	INITIAL RELEASE	12/19/2005	HT
B	1393	TABULATE MATERIALS	6/19/2007	MNH



**MATERIAL (INSULATOR/CONTACT)**

**R = PPS/PHOSPHOR BRONZE**  
OPERATING TEMP: -65°C TO +125°C

**G = PA9T/PHOSPHOR BRONZE**  
OPERATING TEMP: -65°C TO +125°C

**A = PPS/BERYLLIUM COPPER**  
OPERATING TEMP: -65°C TO +150°C

**J = PA9T/BERYLLIUM COPPER**  
OPERATING TEMP: -65°C TO +150°C

**PART NUMBER CODING**

**MOUNTING STYLE**

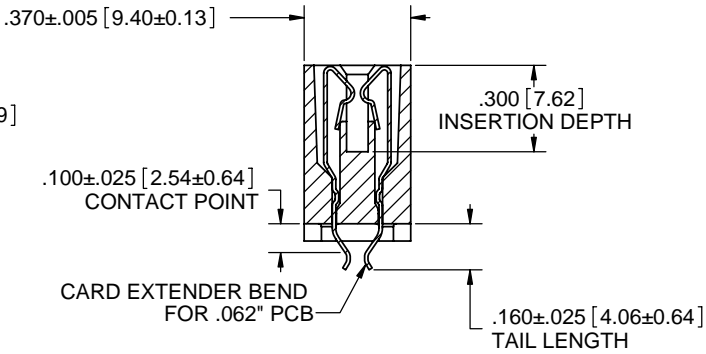
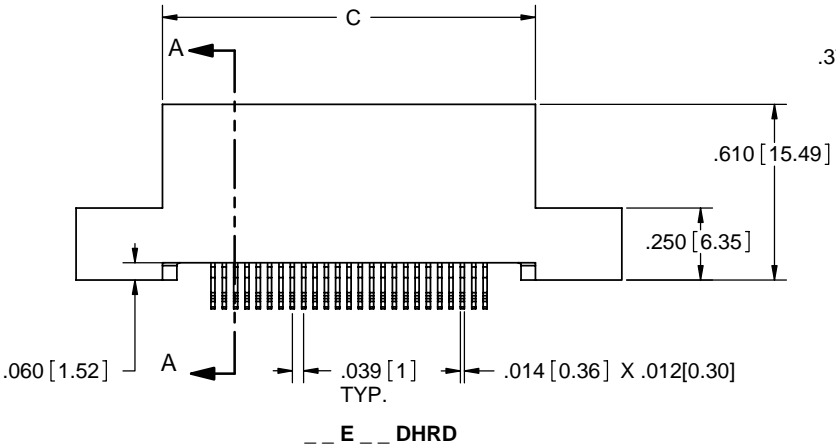
D = FLUSH MOUNTING  
N = NO MOUNTING EARS  
T = FLUSH MTG. WITH THRD INSERT  
R = BOARD LOCKS  
S = SIDE MOUNTING

**NUMBER OF POSITIONS (CONTACTS PER ROW)**

**PLATING**  
ALL PLATINGS HAVE .000050" NICKEL UNDERPLATE

**CONTACT SURFACE TERMINATION**

B = .000010" GOLD .000100" PURE TIN, MATTE  
C = .000030" GOLD .000100" PURE TIN, MATTE



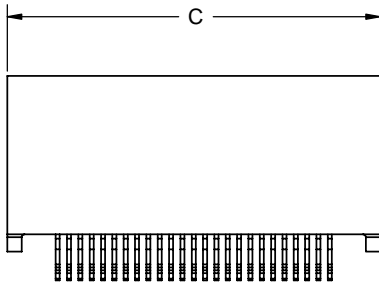
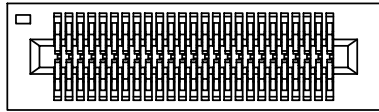
- NOTES:**
- INSULATOR MATERIAL: SEE PART NUMBER CODING
  - CONTACT MATERIAL: SEE PART NUMBER CODING
  - PLATING: SEE PART NUMBER CODING
  - OPERATING TEMPERATURE: SEE PART NUMBER CODING
  - PROCESSING TEMP: 260°C FOR 120 SECONDS MAX
  - UL FLAMMABILITY RATING: 94V-0
  - VOLTAGE RATING: 175 VDC MINIMUM AT SEA LEVEL.
  - CURRENT RATING: 1 AMP PER CONTACT PAIR
  - VOLTAGE DROP: 30 MILLI VOLT AT RATED CURRENT
  - INSULATION RESISTANCE: 5000 MEGA OHM
  - CONNECTOR IDENTIFICATION: THE PART SHALL BE MARKED WITH A PART NUMBER AND BARCODE
  - BOARD THICKNESS ACCOMMODATED: .062 ±.008"[1.57]
  - BOARD INSERTION FORCE: 16 OZ MAX PER CONTACT PAIR WHEN USING A .062"[1.57] TEST BLADE. INTERNAL INSPECTION TO BE PER SULLIN'S WORK INSTRUCTION W17.3-01.
  - BOARD WITHDRAWAL FORCE: 1 OUNCE MINIMUM PER CONTACT PAIR USING .062"[1.57] PCB



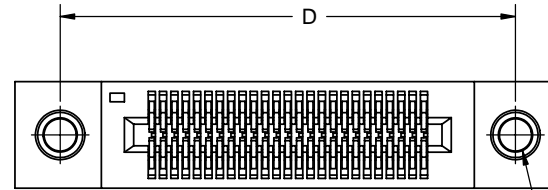
RoHS COMPLIANT

**CUSTOMER COPY**

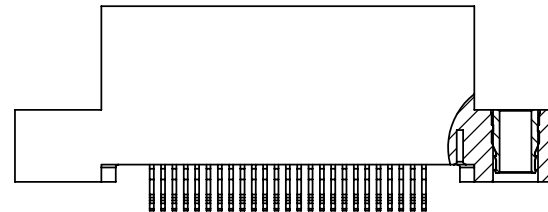
UNLESS OTHERWISE SPECIFIED: DIMENSIONS ARE IN INCHES[MM]		DATE	NAME																
TOLERANCES: ANGULAR: ± 1° XX = ± .02 [ .508] .XXX = ± .005 [ .1270] .XXXX = ± .0005 [ .0127] PARENTHEICAL INFORMATION IS FOR REFERENCE ONLY		12/19/2005	HT																
THE INFORMATION HEREIN CONTAINS PROPRIETARY INFORMATION OF SULLINS ELECTRONICS AND IS NOT TO BE REPRODUCED, USED OR DISCLOSED TO OTHERS FOR ANY PURPOSE EXCEPT AS SPECIFICALLY AUTHORIZED IN WRITING BY AN OFFICER OF SULLINS ELECTRONICS.																			
INTERPRET DIMENSIONS AND GEOMETRIC TOLERANCING PER: ANSI Y14.5-1984		<table border="1"> <tr> <td colspan="2">SULLINS ELECTRONICS</td> </tr> <tr> <td colspan="2">EDGE CARD, .039 CC</td> </tr> <tr> <td colspan="2">PART NUMBER</td> </tr> <tr> <td colspan="2">-- E -- DHR --</td> </tr> <tr> <td>SIZE</td> <td>REV</td> </tr> <tr> <td>C</td> <td>B</td> </tr> <tr> <td colspan="2">SCALE: 3:1</td> </tr> <tr> <td colspan="2">SHEET 1 OF 3</td> </tr> </table>		SULLINS ELECTRONICS		EDGE CARD, .039 CC		PART NUMBER		-- E -- DHR --		SIZE	REV	C	B	SCALE: 3:1		SHEET 1 OF 3	
SULLINS ELECTRONICS																			
EDGE CARD, .039 CC																			
PART NUMBER																			
-- E -- DHR --																			
SIZE	REV																		
C	B																		
SCALE: 3:1																			
SHEET 1 OF 3																			



-- E -- DHRN



2X #4-40  
THREADED INSERT



-- E -- DHRT

# CUSTOMER COPY



RoHS COMPLIANT

UNLESS OTHERWISE SPECIFIED:  
DIMENSIONS ARE IN INCHES[MM]  
TOLERANCES:  
ANGULAR: ± 1°  
.XX = ± .02 [.508]  
.XXX = ± .005 [.1270]  
.XXXX = ± .0005 [.0127]  
PARENTHETICAL INFORMATION IS FOR  
REFERENCE ONLY  
INTERPRET DIMENSIONS AND GEOMETRIC  
TOLERANCING  
PER: ANSI Y14.5-1984

DRAWN	DATE	NAME
12/19/2006	HT	

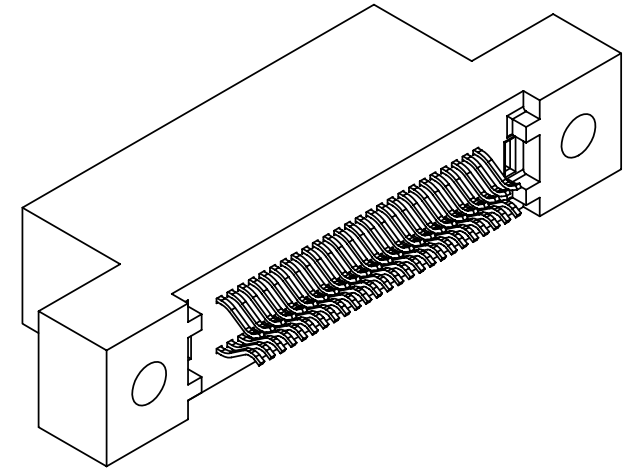
THE INFORMATION HEREIN CONTAINS  
PROPRIETARY INFORMATION OF  
SULLINS ELECTRONICS AND IS NOT  
TO BE REPRODUCED, USED OR  
DISCLOSED TO OTHERS FOR ANY  
PURPOSE EXCEPT AS SPECIFICALLY  
AUTHORIZED IN WRITING BY AN  
OFFICER OF SULLINS ELECTRONICS.

SIZE	DWG. NO.	REV
C	C10645	B

<b>SULLINS ELECTRONICS</b>	
DESCRIPTION EDGE CARD, .039 CC	
PART NUMBER -- E -- DHR --	
SCALE: 3:1	SHEET 2 OF 3

PART NUMBER	NO OF POSITIONS	A±.005[±0.13]		B±.005[±0.13]		C±.015[±0.38]		D±.010[±0.25]		E±.020[±0.51]	
		INCHES	MM	INCHES	MM	INCHES	MM	INCHES	MM	INCHES	MM
__ E02DHR __*	2	0.039	1.00	0.170	4.32	0.389	9.89	0.675	17.15	0.989	25.13
__ E03DHR __*	3	0.079	2.00	0.210	5.32	0.429	10.89	0.715	18.15	1.029	26.13
__ E04DHR __*	4	0.118	3.00	0.249	6.32	0.468	11.89	0.754	19.15	1.068	27.13
__ E05DHR __	5	0.157	4.00	0.288	7.32	0.507	12.89	0.793	20.15	1.107	28.13
__ E06DHR __	6	0.197	5.00	0.328	8.32	0.547	13.89	0.833	21.15	1.147	29.13
__ E07DHR __	7	0.236	6.00	0.367	9.32	0.586	14.89	0.872	22.15	1.186	30.13
__ E08DHR __	8	0.276	7.00	0.407	10.32	0.626	15.89	0.912	23.15	1.226	31.13
__ E09DHR __	9	0.315	8.00	0.446	11.32	0.665	16.89	0.951	24.15	1.265	32.13
__ E10DHR __	10	0.354	9.00	0.485	12.32	0.704	17.89	0.990	25.15	1.304	33.13
__ E11DHR __	11	0.394	10.00	0.525	13.32	0.744	18.89	1.030	26.15	1.344	34.13
__ E12DHR __	12	0.433	11.00	0.564	14.32	0.783	19.89	1.069	27.15	1.383	35.13
__ E13DHR __	13	0.472	12.00	0.603	15.32	0.822	20.89	1.108	28.15	1.422	36.13
__ E14DHR __	14	0.512	13.00	0.643	16.32	0.862	21.89	1.148	29.15	1.462	37.13
__ E15DHR __	15	0.551	14.00	0.682	17.32	0.901	22.89	1.187	30.15	1.501	38.13
__ E16DHR __	16	0.591	15.00	0.722	18.32	0.941	23.89	1.227	31.15	1.541	39.13
__ E17DHR __	17	0.630	16.00	0.761	19.32	0.980	24.89	1.266	32.15	1.580	40.13
__ E18DHR __	18	0.669	17.00	0.800	20.32	1.019	25.89	1.305	33.15	1.619	41.13
__ E19DHR __	19	0.709	18.00	0.840	21.32	1.059	26.89	1.345	34.15	1.659	42.13
__ E20DHR __	20	0.748	19.00	0.879	22.32	1.098	27.89	1.384	35.15	1.698	43.13
__ E21DHR __	21	0.787	20.00	0.918	23.32	1.137	28.89	1.423	36.15	1.737	44.13
__ E22DHR __	22	0.827	21.00	0.958	24.32	1.177	29.89	1.463	37.15	1.777	45.13
__ E23DHR __	23	0.866	22.00	0.997	25.32	1.216	30.89	1.502	38.15	1.816	46.13
__ E24DHR __	24	0.906	23.00	1.037	26.32	1.256	31.89	1.542	39.15	1.856	47.13
__ E25DHR __	25	0.945	24.00	1.076	27.32	1.295	32.89	1.581	40.15	1.895	48.13
__ E26DHR __	26	0.984	25.00	1.115	28.32	1.334	33.89	1.620	41.15	1.934	49.13
__ E27DHR __	27	1.024	26.00	1.155	29.32	1.374	34.89	1.660	42.15	1.974	50.13
__ E28DHR __	28	1.063	27.00	1.194	30.32	1.413	35.89	1.699	43.15	2.013	51.13
__ E29DHR __	29	1.102	28.00	1.233	31.32	1.452	36.89	1.738	44.15	2.052	52.13
__ E30DHR __	30	1.142	29.00	1.273	32.32	1.492	37.89	1.778	45.15	2.092	53.13
__ E31DHR __	31	1.181	30.00	1.312	33.32	1.531	38.89	1.817	46.15	2.131	54.13
__ E32DHR __	32	1.220	31.00	1.351	34.32	1.570	39.89	1.856	47.15	2.170	55.13
__ E33DHR __	33	1.260	32.00	1.391	35.32	1.610	40.89	1.896	48.15	2.210	56.13
__ E34DHR __	34	1.299	33.00	1.430	36.32	1.649	41.89	1.935	49.15	2.249	57.13
__ E35DHR __	35	1.339	34.00	1.470	37.32	1.689	42.89	1.975	50.15	2.289	58.13
__ E36DHR __	36	1.378	35.00	1.509	38.32	1.728	43.89	2.014	51.15	2.328	59.13
__ E37DHR __	37	1.417	36.00	1.548	39.32	1.767	44.89	2.053	52.15	2.367	60.13
__ E38DHR __	38	1.457	37.00	1.588	40.32	1.807	45.89	2.093	53.15	2.407	61.13
__ E39DHR __	39	1.496	38.00	1.627	41.32	1.846	46.89	2.132	54.15	2.446	62.13
__ E40DHR __	40	1.535	39.00	1.666	42.32	1.885	47.89	2.171	55.15	2.485	63.13
__ E41DHR __	41	1.575	40.00	1.706	43.32	1.925	48.89	2.211	56.15	2.525	64.13
__ E42DHR __	42	1.614	41.00	1.745	44.32	1.964	49.89	2.250	57.15	2.564	65.13
__ E43DHR __	43	1.654	42.00	1.785	45.32	2.004	50.89	2.290	58.15	2.604	66.13
__ E44DHR __	44	1.693	43.00	1.824	46.32	2.043	51.89	2.329	59.15	2.643	67.13
__ E45DHR __	45	1.732	44.00	1.863	47.32	2.082	52.89	2.368	60.15	2.682	68.13
__ E46DHR __	46	1.772	45.00	1.903	48.32	2.122	53.89	2.408	61.15	2.722	69.13
__ E47DHR __	47	1.811	46.00	1.942	49.32	2.161	54.89	2.447	62.15	2.761	70.13
__ E48DHR __	48	1.850	47.00	1.981	50.32	2.200	55.89	2.486	63.15	2.800	71.13
__ E49DHR __	49	1.890	48.00	2.021	51.32	2.240	56.89	2.526	64.15	2.840	72.13
__ E50DHR __	50	1.929	49.00	2.060	52.32	2.279	57.89	2.565	65.15	2.879	73.13

\* CONSULT FACTORY FOR AVAILABILITY



# CUSTOMER COPY



RoHS COMPLIANT

UNLESS OTHERWISE SPECIFIED: DIMENSIONS ARE IN INCHES[MM]		DATE	NAME
TOLERANCES: ANGULAR: ± 1° XX ± .02 [ .508] .XXX ± .005 [ .1270] XXXX ± .0005 [ .0127] PARENTHETICAL INFORMATION IS FOR REFERENCE ONLY		12/19/2005	HT
THE INFORMATION HEREIN CONTAINS PROPRIETARY INFORMATION OF SULLINS ELECTRONICS AND IS NOT TO BE REPRODUCED, USED OR DISCLOSED TO OTHERS FOR ANY PURPOSE EXCEPT AS SPECIFICALLY AUTHORIZED IN WRITING BY AN OFFICER OF SULLINS ELECTRONICS.		DESCRIPTION	
PART NUMBER		EDGE CARD, .039 CC	
__ E __ DHR __		PART NUMBER	
SIZE	DWG. NO.	REV	
C	C10645	B	
SCALE: 3:1		SHEET 3 OF 3	